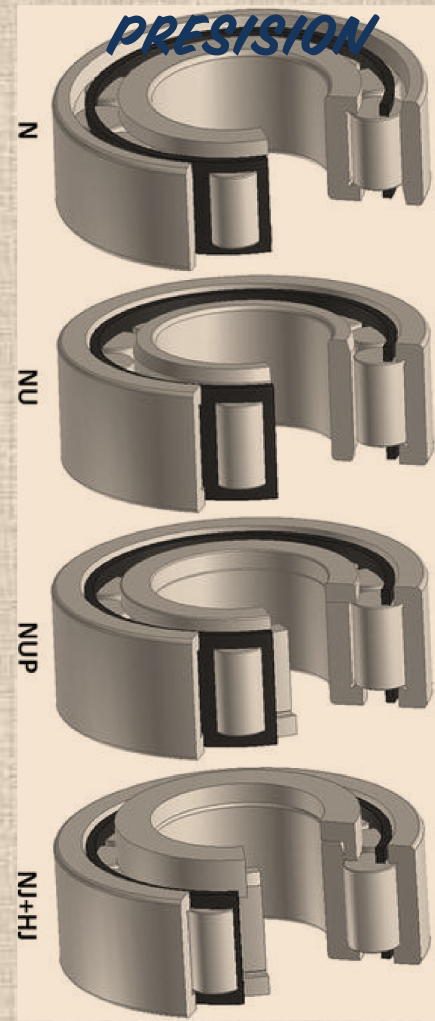
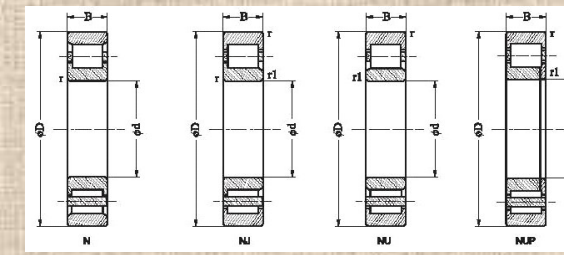


GERMAN PRECISION



CYLINDRICAL ROLLER BEARINGS

PRECISION GERMAN



WWW.SMBEARING-EU.DE



WWW.SMBEARING-EU.DE

Bearing number	Principal dimensions mm				Weight kg
	d	D	B	r smin	
NJ304	20	52	15	0.6	0.153
NJ305	25	62	17	1.1	0.241
NJ306	30	72	29	1.1	0.358
NJ307	35	80	21	1.1	0.461
NJ308	40	90	23	1.5	0.658
NJ309	45	100	35	1.5	0.877
NJ310	50	110	27	2.0	1.140
NU204	20	47	14	0.6	0.111
NU205	25	52	15	0.6	0.137
NU206	30	62	16	0.6	0.207
NU207	35	72	17	0.6	0.295
NU208	40	80	18	1.1	0.378
NU209	45	85	19	1.1	0.432
NU210	50	90	20	1.1	0.470
NU211	55	100	21	1.1	0.626
NU212	60	110	22	1.5	0.802
NU213	65	120	23	1.5	1.000
NU214	70	125	24	1.5	1.100
NU215	75	130	25	1.5	1.210
NU304	20	52	15	0.6	0.153
NU305	25	62	17	1.1	0.241
NU306	30	72	19	1.1	0.358
NU307	35	80	21	1.1	0.461
NU308	40	90	23	1.5	0.658
NU309	45	100	25	1.5	0.877
NU310	50	110	27	2.0	1.140
NU311	55	120	29	2.0	1.450
NU312	60	130	31	2.1	1.800
NU313	65	140	33	2.1	2.230
NU314	70	150	35	2.1	2.710
NU315	75	170	39	2.1	3.860
NUP304	20	52	15	0.6	0.144
NUP305	25	62	17	1.1	0.575
NUP306	30	72	19	1.1	0.758
NUP307	35	80	21	1.1	1.01
NUP308	40	90	23	1.5	1.28
NUP309	45	100	25	1.5	1.62
NUP310	50	110	27	2.0	1.99
NUP311	55	120	29	2.0	2.50
NUP312	60	130	31	2.1	2.04
NUP313	65	140	33	2.1	3.63

Bearing number	Principal dimensions mm				Weight kg
	d	D	B	r smin	
N204	20	47	14	0.6	0.109
N205	25	52	15	0.6	1.134
N206	30	62	16	0.6	0.203
N207	35	72	17	0.6	0.289
N208	40	80	18	1.1	0.370
N209	45	85	19	1.1	0.423
N210	50	90	21	1.1	0.460
N211	55	100	21	1.1	0.626
N212	60	110	22	1.5	0.802
N213	65	120	23	1.5	1.000
N214	70	125	24	1.5	1.100
N215	75	130	25	1.5	1.210
N216	80	140	26	2.0	1.470
N217	85	150	28	2.0	1.830
N218	90	160	30	2.0	2.250
N219	95	170	32	2.1	2.720
N304	20	52	15	0.6	0.149
N305	25	62	17	1.1	0.235
N306	30	72	19	1.1	0.350
N307	35	80	21	1.1	0.451
N308	40	90	23	1.5	0.643
N309	45	100	25	1.5	0.857
N310	50	110	27	2.0	1.110
N311	55	120	29	2.0	1.420
N312	60	130	31	2.1	1.760
N313	65	140	33	2.1	2.180
N314	70	150	35	2.1	2.650
NJ202	15	35	11	0.3	0.048
NJ203	17	40	12	0.30	0.070
NJ204	20	47	14	0.6	0.111
NJ205	25	52	15	0.6	0.137
NJ206	30	62	16	0.6	0.207
NJ207	35	72	17	0.6	0.295
NJ208	40	80	18	1.1	0.378
NJ209	45	85	19	1.1	0.432
NJ210	50	90	20	1.1	0.470
NJ211	55	100	21	1.1	0.626
NJ212	60	110	22	1.5	0.802
NJ213	65	120	23	1.5	1.000
NJ214	70	125	24	1.5	1.100
NJ215	75	130	25	1.5	1.210

Cylindrical roller bearings

Can carry heavy radial loads at high speeds. Single row EC-design bearings have optimised internal geometry which increases their radial and axial load carrying capacity, reduces the sensitivity to misalignment and facilitates their lubrication. For complement bearings incorporate the maximum number of rollers and have no cage. They are intended for very heavy loads and moderate speeds.

